



Robust  
Silent  
Reliable

## LE-v50 & LE-v50 Extreme

The perfect turbine for **trickle charging**  
batteries in harsh locations



Designed &  
manufactured  
in the UK

# LE-v50 - Features



## LE-v50

The perfect **wind turbine** for trickle charging batteries

### Features:

#### **Silent**

Noise produced is below that of background level

#### **Compact and lightweight**

Can be installed in a variety of positions with ease

#### **Cross flow ventilated rotor**

Far higher output than similar vertical axis turbines

#### **Robust design**

Proven in the severest environment - the Antarctic

#### **Output**

Up to 80W

#### **Marine quality finish**

High quality components and lasting performance

## Designed and proven to survive gusts of 80mph

**The LE-v50 fills a gap in the market where small amounts of power are required in harsh environments. This turbine is very robust having proved itself in Antarctic winters...**

The LE-v50 delivers power outputs of up to 70W in absolute silence. Compared to similar vertical axis turbines, the LE-v50 delivers far higher output thanks to the cross-ventilated 'savourious' vertical axis rotor. This is coupled with the well proven axial flux alternator design that has been successfully used on all our turbines. With only 1 moving part, there is little to go wrong.

The small footprint and lightweight design allows the turbine to be installed in places where space is a premium. The turbine will receive the wind from 360 degrees without the need to yaw into position. The LE-v50 can self-regulate without the need for external charge controllers and the turbine's double bearing arrangement is superior to cantilever designs found in other vertical axis turbines.

# LE-v50 - Technical Overview

**Rotor diameter** - 270mm **Height** - 456mm

**Rotor type** - 3-Blade savonius

**Blade material** - Aluminium

**Rated output** - 10W at 12m/s (26mph)

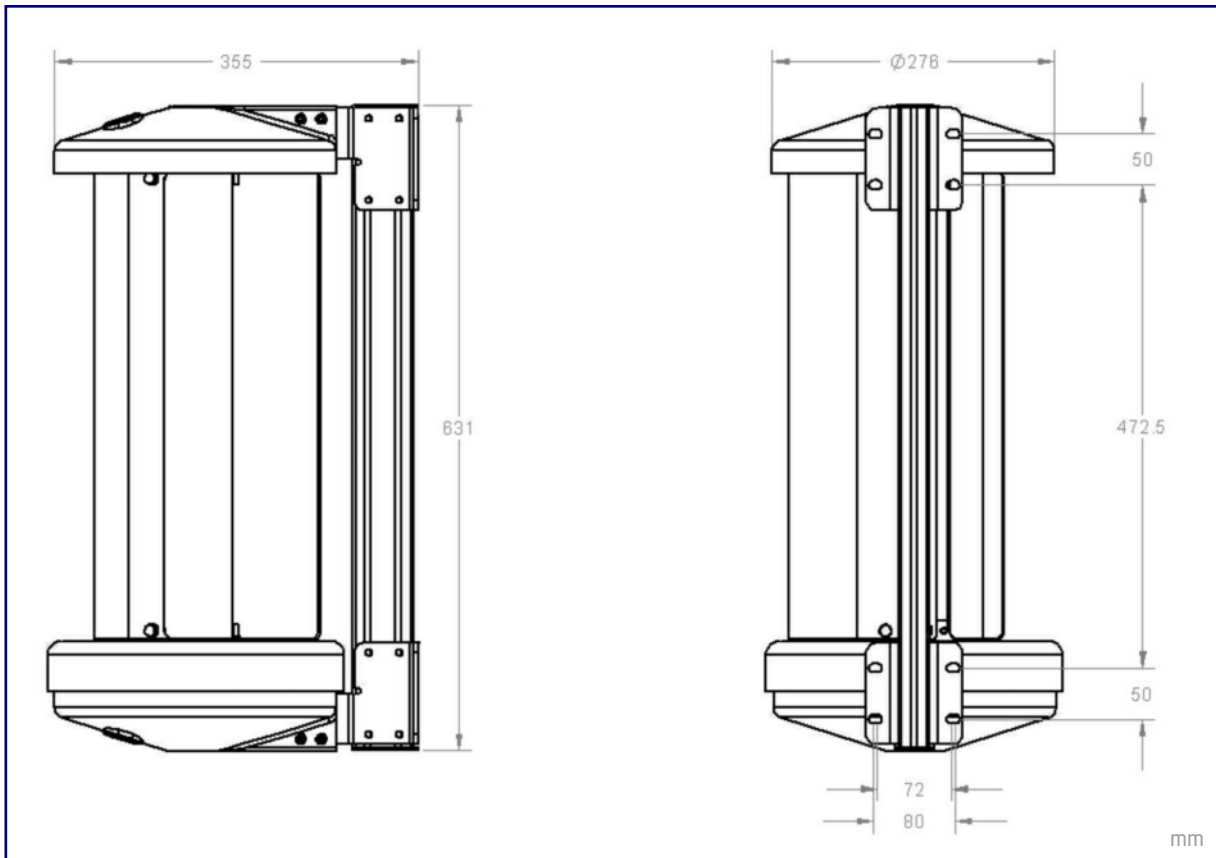
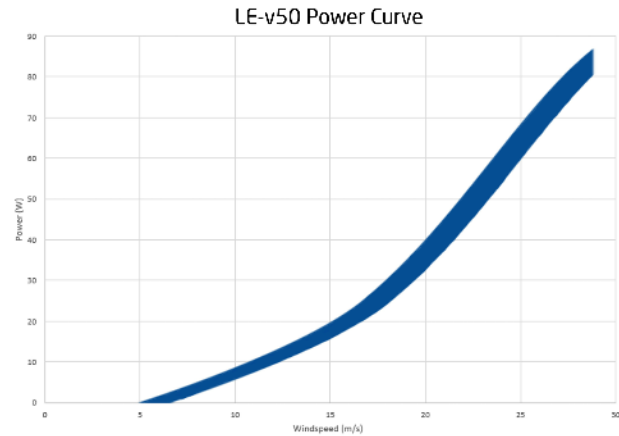
**Peak output** - 80W

**Cut-in speed** - 5m/s (11mph)

**Weight** - 9Kg

**Warranty** - 2 years

**DC Output voltage** - 12V, 24V, 48V

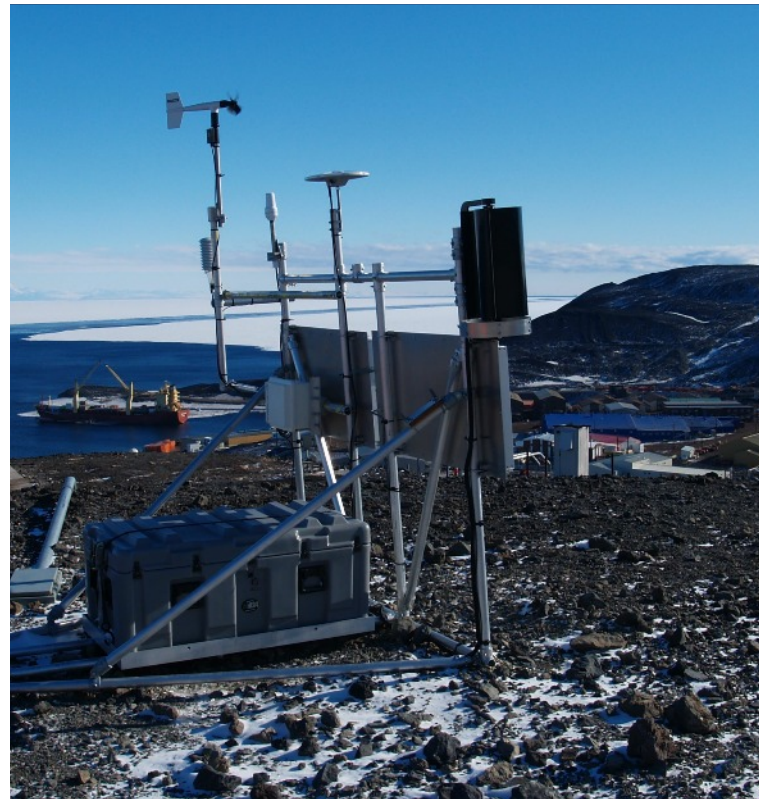


## LE-v50 Extreme

Where wind speeds can regularly reach over 27m/s (60mph), the LE-v50 Extreme is the wind turbine of choice. It features enhancements that reduce the stress and fatigue on the blades during prolonged periods of storm force winds. It is also fitted with baffle plates that prevent

damage to the upper cowling. In sub-zero temperatures, the black body absorbs UV light to help prevent ice build up while the low-temperature bearings mean the turbine continues generating power at temperatures down to -40 degC.

# LE-v50 - Applications



- Marine
- Telemetry
- Trickle Charging
- LED lighting systems
- Extreme environments
- Off-grid

Our LE-v50 vertical axis turbine will trickle charge your batteries or provide energy for low power electronic devices such as data-logging and telemetry equipment. The LE-v50 Extreme is specially adapted for storm force winds and sub-zero temperatures.

Wind turbine performance is subject to many factors. All output data contained in this document is indicative and actual turbine outputs will depend on the prevailing site and installation conditions.

## VANNHANDEL.NO

www.vannhandel.no  
post@vannhandel.no  
Postboks 1261  
N-3254 LARVIK, NORGE  
Telefon/SMS: +47-90609695  
www.youtube.com/vannhandel  
www.facebook.com/vannhandel

Ring  
**90609695**  
for spørsmål  
og tilbud

 **Leading Edge**